

MODELLING AN EQUATION

- PREPARATION 2
 - an equation to model..... 2
 - the ADDER..... 3
 - conditions for a null..... 4
 - more insight into the null 5
 - TIMS experiment procedures. 6
- EXPERIMENT 7
 - signal-to-noise ratio..... 12
 - achievements..... 12
 - as time permits 13
- TUTORIAL QUESTIONS..... 13
- TRUNKS..... 14

MODELLING AN EQUATION

ACHIEVEMENTS: a familiarity with the TIMS modelling philosophy; development of modelling and experimental skills for use in future experiments. Introduction to the ADDER, AUDIO OSCILLATOR, and PHASE SHIFTER modules; also use of the SCOPE SELECTOR and FREQUENCY COUNTER.

PREREQUISITES: a desire to enhance one’s knowledge of, and insights into, the phenomena of telecommunications theory and practice.

PREPARATION

This experiment assumes no prior knowledge of telecommunications. It illustrates how TIMS is used to model a mathematical equation. You will learn some experimental techniques. It will serve to introduce you to the TIMS system, and prepare you for the more serious experiments to follow.

In this experiment you will model a simple trigonometrical equation. That is, you will demonstrate in hardware something with which you are already familiar analytically.

an equation to model

You will see that what you are to do experimentally is to demonstrate that two AC signals of the *same* frequency, *equal* amplitude and *opposite* phase, when added, will sum to zero.

This process is used frequently in communication electronics as a means of removing, or at least minimizing, unwanted components in a system. You will meet it in later experiments.

The equation which you are going to model is:

$$y(t) = V_1 \sin(2\pi f_1 t) + V_2 \sin(2\pi f_2 t + \alpha) \quad \text{..... 1}$$

$$= v_1(t) + v_2(t) \quad \text{..... 2}$$

Here $y(t)$ is described as the sum of two sine waves. Every young trigonometrician knows that, if:

- each is of the same frequency: $f_1 = f_2$ Hz 3
- each is of the same amplitude: $V_1 = V_2$ volts 4

and they are 180° out of phase: $\alpha = 180$ degrees 5

then: $y(t) = 0$ 6

A block diagram to represent eqn.(1) is suggested in Figure 1.

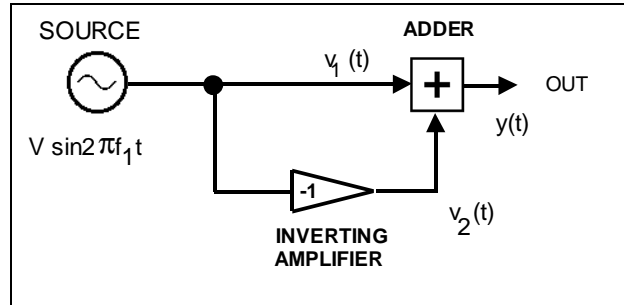


Figure 1: block diagram model of Equation 1

Note that we ensure the two signals are of the same frequency ($f_1 = f_2$) by obtaining them from the same source. The 180 degree phase change is achieved with an inverting amplifier, of unity gain.

In the block diagram of Figure 1 it is assumed, by convention, that the ADDER has unity gain between each input and the output. Thus the output is $y(t)$ of eqn.(2).

This diagram appears to satisfy the requirements for obtaining a null at the output. Now see how we could model it with TIMS modules.

A suitable arrangement is illustrated in block diagram form in Figure 2.

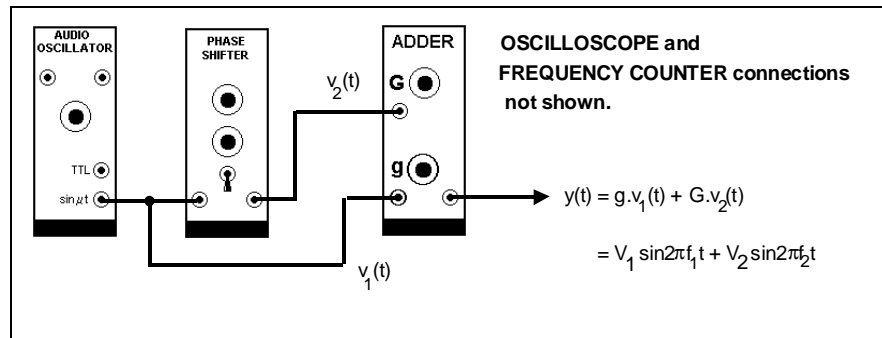


Figure 2: the TIMS model of Figure 1.

Before you build this model with TIMS modules let us consider the procedure you might follow in performing the experiment.

the ADDER

The annotation for the ADDER needs explanation. The symbol 'G' near input A means the signal at this input will appear at the output, amplified by a factor 'G'. Similar remarks apply to the input labelled 'g'. Both 'G' and 'g' are adjustable by adjacent controls on the front panel of the ADDER. But note that, like the controls

on all of the other TIMS modules, these controls are *not calibrated*. You must adjust these gains for a desired final result by measurement.

Thus the ADDER output is not identical with eqn.(2), but instead:

$$\text{ADDER output} = \mathbf{g} \cdot v_1(t) + \mathbf{G} \cdot v_2(t) \quad \text{..... 7}$$

$$= V_1 \sin 2\pi f_1 t + V_2 \sin 2\pi f_2 t \quad \text{..... 8}$$

conditions for a null

For a null at the output, sometimes referred to as a 'balance', one would be excused for thinking that:

if:

- 1) the PHASE SHIFTER is adjusted to introduce a difference of 180° between its input and output

and

- 2) the gains 'g' and 'G' are adjusted to equality

then

- 3) the amplitude of the output signal y(t) will be zero.

In practice the above procedure will almost certainly *not* result in zero output ! Here is the first *important observation* about the practical modelling of a theoretical concept.

In a practical system there are inevitably small impairments to be accounted for. For example, the gain through the PHASE SHIFTER is *approximately* unity, not exactly so. It would thus be pointless to set the gains 'g' and 'G' to be precisely equal. Likewise it would be a waste of time to use an expensive phase meter to set the PHASE SHIFTER to exactly 180°, since there are always small phase shifts not accounted for elsewhere in the model. See *Q1, Tutorial Questions*, at the end of this experiment.

*These small impairments are **unknown**, but they are **stable**.
Once compensated for they produce no further problems.*

So we do not make precise adjustments to modules, independently of the system into which they will be incorporated, and then patch them together and expect the system to behave. All adjustments are made *to the system as a whole* to bring about the desired end result.

The null at the output of the simple system of Figure 2 is achieved by adjusting the uncalibrated controls of the ADDER and of the PHASE SHIFTER. Although equations (3), (4), and (5) define the necessary conditions for a null, they do not give any guidance as to how to achieve these conditions.

more insight into the null

It is instructive to express eqn. (1) in phasor form. Refer to Figure 3.

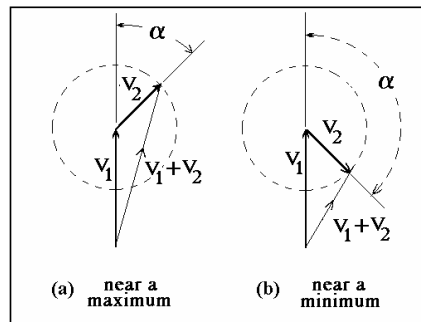


Figure 3: Equation (1) in phasor form

Figure 3 (a) and (b) shows the phasors V_1 and V_2 at two different angles α . It is clear that, to minimise the length of the resultant phasor ($V_1 + V_2$), the angle α in (b) needs to be increased by about 45° .

The resultant having reached a minimum, then V_2 must be increased to approach the magnitude of V_1 for an even smaller (finally zero) resultant.

We knew that already. What is clarified is the condition prior to the null being achieved. Note that, as angle α is rotated through a full 360° , the resultant ($V_1 + V_2$) goes through one minimum and one maximum (refer to the *TIMS User Manual* to see what sort of phase range is available from the PHASE SHIFTER).

What is also clear from the phasor diagram is that, when V_1 and V_2 differ by more than about 2:1 in magnitude, the minimum will be shallow, and the maximum broad and not pronounced ¹.

Thus we can conclude that, unless the magnitudes V_1 and V_2 are already reasonably close, it may be difficult to find the null by rotating the phase control.

So, as a first step towards finding the null, it would be wise to set V_2 close to V_1 . This will be done in the procedures detailed below.

Note that, for balance, it is the ratio of the magnitudes V_1 and V_2 , rather than their absolute magnitudes, which is of importance.

So we will consider V_1 of fixed magnitude (the reference), and make all adjustments to V_2 .

This assumes V_1 is not of zero amplitude !

¹ fix V_1 as reference; mentally rotate the phasor for V_2 . The dashed circle shows the locus of its extremity.

TIMS experiment procedures.

In each experiment the tasks '*T*' you are expected to perform, and the questions '*Q*' you are expected to answer, are printed in italics and in slightly larger characters than the rest of the text.

In the early experiments there will a large list of tasks, each given in considerable detail. Later, you will not need such precise instructions, and only the major steps will be itemised. You are expected to become familiar with the capabilities of your oscilloscope, and especially with synchronization techniques.

EXPERIMENT

You are now ready to model eqn. (1). The modelling is explained step-by-step as a series of small tasks.

Take these tasks seriously, now and in later experiments, and TIMS will provide you with hours of stimulating experiences in telecommunications and beyond. The tasks are identified with a 'T', are numbered sequentially, and should be performed in the order given.

T1 *both channels of the oscilloscope should be permanently connected to the matching coaxial connectors on the SCOPE SELECTOR. See the TIMS User Manual for details of this module.*

T2 *in this experiment you will be using three plug-in modules, namely: an AUDIO OSCILLATOR, a PHASE SHIFTER, and an ADDER. Obtain one each of these. Identify their various features as described in the TIMS User Manual.*

Most modules can be controlled entirely from their front panels, but some have switches mounted on their circuit boards. Set these switches before plugging the modules into the TIMS SYSTEM UNIT; they will seldom require changing during the course of an experiment.

T3 *set the on-board range switch of the PHASE SHIFTER to 'LO'. Its circuitry is designed to give a wide phase shift in either the audio frequency range (LO), or the 100 kHz range (HI).*

Modules can be inserted into any one of the twelve available slots in the TIMS SYSTEM UNIT. Choose their locations to suit yourself. Typically one would try to match their relative locations as shown in the block diagram being modelled. Once plugged in, modules are in an operating condition.

T4 *plug the three modules into the TIMS SYSTEM UNIT.*

T5 *set the front panel switch of the FREQUENCY COUNTER to a GATE TIME of 1s. This is the most common selection for measuring frequency.*

When you become more familiar with TIMS you may choose to associate certain signals with particular patch lead colours. For the present, choose any colour which takes your fancy.

- T6** connect a patch lead from the lower yellow (analog) output of the AUDIO OSCILLATOR to the ANALOG input of the FREQUENCY COUNTER. The display will indicate the oscillator frequency f_1 in kilohertz (kHz).
- T7** set the frequency f_1 with the knob on the front panel of the AUDIO OSCILLATOR, to approximately 1 kHz (any frequency would in fact be suitable for this experiment).
- T8** connect a patch lead from the lower yellow (analog) output of the AUDIO OSCILLATOR to the 'ext. trig' [or 'ext. synch'] terminal of the oscilloscope. Make sure the oscilloscope controls are switched so as to accept this external trigger signal; use the automatic sweep mode if it is available.
- T9** set the sweep speed of the oscilloscope to 0.5 ms/cm.
- T10** patch a lead from the lower analog output of the AUDIO OSCILLATOR to the input of the PHASE SHIFTER.
- T11** patch a lead from the output of the PHASE SHIFTER to the input A of the ADDER².
- T12** patch a lead from the lower analog output of the AUDIO OSCILLATOR to the input B of the ADDER.
- T13** patch a lead from the input B of the ADDER to CH2-A of the SCOPE SELECTOR module. Set the lower toggle switch of the SCOPE SELECTOR to UP.
- T14** patch a lead from the input A of the ADDER to CH1-A of the SCOPE SELECTOR. Set the upper SCOPE SELECTOR toggle switch UP.
- T15** patch a lead from the output of the ADDER to CH1-B of the SCOPE SELECTOR. This signal, $y(t)$, will be examined later on.

Your model should be the same as that shown in Figure 4 below, which is based on Figure 2. Note that in future experiments the format of Figure 2 will be used for TIMS models, rather than the more illustrative and informal style of Figure 4, which depicts the actual flexible patching leads.

You are now ready to set up some signal levels.

² the input is labelled 'A', and the gain is 'G'. This is often called 'the input G'; likewise 'input g'.

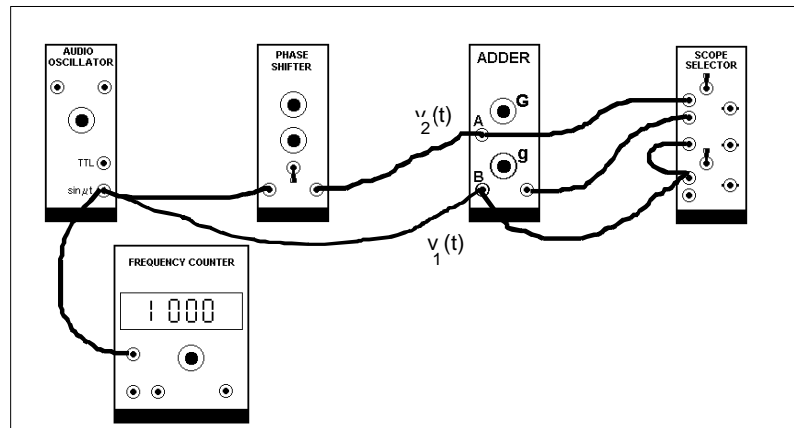


Figure 4: the TIMS model.

T16 find the sinewave on CH1-A and, using the oscilloscope controls, place it in the upper half of the screen.

T17 find the sinewave on CH2-A and, using the oscilloscope controls, place it in the lower half of the screen. This will display, throughout the experiment, a constant amplitude sine wave, and act as a monitor on the signal you are working with.

Two signals will be displayed. These are the signals connected to the two ADDER inputs. One goes via the PHASE SHIFTER, which has a gain whose nominal value is unity; the other is a direct connection. They will be of the same nominal amplitude.

T18 vary the COARSE control of the PHASE SHIFTER, and show that the relative phases of these two signals may be adjusted. Observe the effect of the $\pm 180^\circ$ toggle switch on the front panel of the PHASE SHIFTER.

As part of the plan outlined previously it is now necessary to set the amplitudes of the two signals at the output of the ADDER to approximate equality.

Comparison of eqn. (1) with Figure 2 will show that the ADDER gain control g will adjust V_1 , and G will adjust V_2 .

You should set both V_1 and V_2 , which are the magnitudes of the two signals at the ADDER output, at or near the TIMS ANALOG REFERENCE LEVEL, namely 4 volt peak-to-peak.

Now let us look at these two signals at the output of the ADDER.

T19 switch the SCOPE SELECTOR from CH1-A to CH1-B. Channel 1 (upper trace) is now displaying the ADDER output.

T20 remove the patch cords from the B input of the ADDER. This sets the amplitude V_1 at the ADDER output to zero; it will not influence the adjustment of G .

T21 adjust the **G** gain control of the ADDER until the signal at the output of the ADDER, displayed on CH1-B of the oscilloscope, is about 4 volt peak-to-peak. This is V_2 .

T22 remove the patch cord from the **A** input of the ADDER. This sets the V_2 output from the ADDER to zero, and so it will not influence the adjustment of **g**.

T23 replace the patch cords previously removed from the **B** input of the ADDER, thus restoring V_1 .

T24 adjust the **g** gain control of the ADDER until the signal at the output of the ADDER, displayed on CH1-B of the oscilloscope, is about 4 volt peak-to-peak. This is V_1 .

T25 replace the patch cords previously removed from the **A** input of the ADDER.

Both signals (amplitudes V_1 and V_2) are now displayed on the upper half of the screen (CH1-B). Their individual amplitudes have been made approximately equal. Their *algebraic sum* may lie anywhere between zero and 8 volt peak-to-peak, depending on the value of the phase angle α . It is true that 8 volt peak-to-peak would be in excess of the TIMS ANALOG REFERENCE LEVEL, but it won't overload the oscilloscope, and in any case will soon be reduced to a null.

Your task is to adjust the model for a null at the ADDER output, as displayed on CH1-B of the oscilloscope.

You may be inclined to fiddle, in a haphazard manner, with the few front panel controls available, and hope that before long a null will be achieved. You may be successful in a few moments, but this is unlikely. Such an approach is definitely not recommended if you wish to develop good experimental practices.

Instead, you are advised to remember the plan discussed above. This should lead you straight to the wanted result with confidence, and the *satisfaction that instant and certain success* can give.

There are only *three* conditions to be met, as defined by equations (3), (4), and (5).

- the *first* of these is already assured, since the two signals are coming from a common oscillator.
- the *second* is approximately met, since the gains '**g**' and '**G**' have been adjusted to make V_1 and V_2 , at the ADDER *output*, about equal.
- the *third* is unknown, since the front panel control of the PHASE SHIFTER is not calibrated³.

It would thus seem a good idea to start by adjusting the phase angle α . So:

³ TIMS philosophy is not to calibrate any controls. In this case it would not be practical, since the phase range of the PHASE SHIFTER varies with frequency.

T26 set the FINE control of the PHASE SHIFTER to its central position.

T27 whilst watching the upper trace, $y(t)$ on CH1-B, vary the COARSE control of the PHASE SHIFTER. Unless the system is at the null or maximum already, rotation in one direction will increase the amplitude, whilst in the other will reduce it. Continue in the direction which produces a decrease, until a minimum is reached. That is, when further rotation in the same direction changes the reduction to an increase. If such a minimum can not be found before the full travel of the COARSE control is reached, then reverse the front panel 180° TOGGLE SWITCH, and repeat the procedure. Keep increasing the sensitivity of the oscilloscope CH1 amplifier, as necessary, to maintain a convenient display of $y(t)$.

Leave the PHASE SHIFTER controls in the position which gives the minimum.

T28 now select the G control on the ADDER front panel to vary V_2 , and rotate it in the direction which produces a deeper null. Since V_1 and V_2 have already been made almost equal, only a small change should be necessary.

T29 repeating the previous two tasks a few times should further improve the depth of the null. As the null is approached, it will be found easier to use the FINE control of the PHASE SHIFTER. These adjustments (of amplitude and phase) are NOT interactive, so you should reach your final result after only a few such repetitions.

*Nulling of the two signals is complete !
You have achieved your first objective*

You will note that it is not possible to achieve zero output from the ADDER. This never happens in a practical system. Although it is possible to reduce $y(t)$ to zero, this cannot be observed, since it is masked by the inevitable system noise.

T30 reverse the position of the PHASE SHIFTER toggle switch. Record the amplitude of $y(t)$, which is now the absolute sum of V_1 PLUS V_2 . Set this signal to fill the upper half of the screen. When the 180° switch is flipped back to the null condition, with the oscilloscope gain unchanged, the null signal which remains will appear to be 'almost zero'.

signal-to-noise ratio

When $y(t)$ is reduced in amplitude, by nulling to well below the TIMS ANALOG REFERENCE LEVEL, and the sensitivity of the oscilloscope is increased, the inevitable noise becomes visible. *Here noise is defined as anything we don't want.*

The noise level will not be influenced by the phase cancellation process which operates on the test signal, so will remain to mask the moment when $y(t)$ vanishes; see *Q2*.

It will be at a level considered to be negligible in the TIMS environment - say less than 10 mV peak-to-peak. How many dB below reference level is this ?

Note that the nature of this noise can reveal many things. See *Q3*.

achievements

Compared with some of the models you will be examining in later experiments you have just completed a very simple exercise. Yet many experimental techniques have been employed, and it is fruitful to consider some of these now, in case they have escaped your attention.

- to achieve the desired proportions of two signals V_1 and V_2 at the output of an ADDER it is necessary to measure first one signal, then the other. Thus it is necessary to remove the patch cord from one input whilst adjusting the output from the other. Turning the unwanted signal off with the front panel gain control is not a satisfactory method, since the original gain setting would then be lost.
- as the amplitude of the signal $y(t)$ was reduced to a small value (relative to the remaining noise) it remained stationary on the screen. This was because the oscilloscope was triggering to a signal related in frequency (the same, in this case) and of *constant amplitude*, and was *not affected* by the nulling procedure. So the triggering circuits of the oscilloscope, once adjusted, remained adjusted.
- choice of the oscilloscope trigger signal is important. Since the oscilloscope remained synchronized, and a copy of $y(t)$ remained on display (CH1) throughout the procedure, you could distinguish between the signal you were nulling and the accompanying noise.
- remember that the nulling procedure was focussed on the signal at the oscillator (fundamental) frequency. Depending on the nature of the remaining unwanted signals (noise) at the null condition, different conclusions can be reached.
 - a) if the AUDIO OSCILLATOR had a significant amount of harmonic distortion, then the remaining 'noise' would be due to the presence of these harmonic components. It would be unlikely for them to be simultaneously nulled. The 'noise' would be stationary relative to the wanted signal (on CH1). The waveform of the 'noise' would provide a clue as to the order of the largest unwanted harmonic component (or components).
 - b) if the remaining noise is entirely independent of the waveform of the signal on CH1, then one can make statements about the waveform purity of the AUDIO OSCILLATOR.

as time permits

At TRUNKS is a speech signal. You can identify it by examining each of the three TRUNKS outputs with your oscilloscope. You will notice that, during speech pauses, there remains a constant amplitude sinewave. This represents an interfering signal.

T31 connect the speech signal at TRUNKS to the input of the HEADPHONE AMPLIFIER. Plug the headphones into the HEADPHONE AMPLIFIER, and listen to the speech. Notice that, no matter in which position the front panel switch labelled 'LPF Select' is switched, there is little change (if any at all) to the sound heard.

There being no significant change to the sound means that the speech was already bandlimited to about 3 kHz, the LPF cutoff frequency, and that the interfering tone was within the same bandwidth. What would happen if this corrupted speech signal was used as the input to your model of Figure 2? Would it be possible to cancel out the interfering tone without losing the speech?

T32 connect the corrupted speech to your nulling model, and try to remove the tone from the speech. Report and explain results.

TUTORIAL QUESTIONS

Q1 refer to the phasor diagram of Figure 3. If the amplitudes of the phasors V_1 and V_2 were within 1% of each other, and the angle α within 1° of 180° , how would you describe the depth of null? How would you describe the depth of null you achieved in the experiment? You must be able to express the result numerically.

Q2 why was not the noise nulled at the same time as the 1 kHz test signal?

Q3 describe a method (based on this experiment) which could be used to estimate the harmonic distortion in the output of an oscillator.

Q4 suppose you have set up the system of Figure 2, and the output has been successfully minimized. What might happen to this minimum if the frequency of the AUDIO OSCILLATOR was changed (say by 10%). Explain.

Q5 Figure 1 shows an INVERTING AMPLIFIER, but Figure 2 has a PHASE SHIFTER in its place. Could you have used a BUFFER AMPLIFIER (which inverts the polarity) instead of the PHASE SHIFTER? Explain.

TRUNKS

There should be a speech signal, corrupted by one or two tones, at TRUNKS. If you do not have a TRUNKS system you could generate this signal yourself with a SPEECH module, an AUDIO OSCILLATOR, and an ADDER.